

ChenYang Permanent Magnets for Loudspeakers and Woofers

Copyright© 2006, ChenYang Technologies GmbH & Co. KG

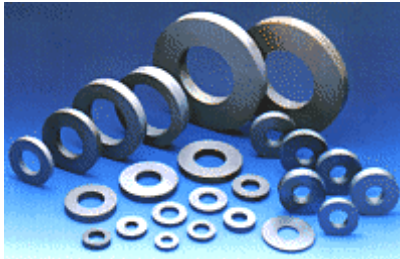
All rights reserved. No part of this catalogue may be reproduced, stored in a retrieval system or transmitted in any form or by any means, electronic, mechanical, photocopying, recording or otherwise, without the prior permission of the copyright holder.

Contact Address:

Markt Schwabener Str. 8
D-85464 Finsing
Germany

Tel: +49 (0)8121-2574100
Fax: +49 (0)8121-2574101
Email: info@cy-magnetics.com
<http://www.cy-magnetics.com>

ChenYang-ISM supplies all kinds of speaker magnets (ceramic ring magnets) for specified applications to different loudspeakers and woofers in audio instruments and equipments. These magnets are especially cost favourable with very good quality and a wide variety of geometrical measures and magnetic properties for loudspeaker /woofer manufacturers. We have more than 1000 tools/moulds for make speaker magnets.

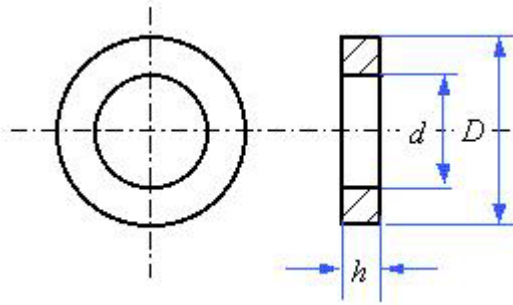


Dimensions	Outer Diameter (mm)	Inner Diameter (mm)	Thickness (mm)
Maximum	220	110	40
Minimum	32	18	5
Tolerance	±2%	±1.5%	±0.15

Hard Ferrite (Ceramic) Magnets

Material	Remanence		Coercivity		Intrinsic Coercivity		Max. Energy Product	
	Br (mT)	Br (kGs)	bHc (kA/m)	bHc (kOe)	iHc (kA/m)	iHc (kOe)	(BH)max (KJ/m ³)	(BH)max (MGOe)
Y25BH	360-390	3.60-3.90	176-216	2.20-2.70	215-231	2.70-2.90	23.9-27.1	3.0-3.4
Y26H	360-390	3.60-3.90	220-250	2.77-3.14	225-255	2.83-3.21	23.0-28.0	2.9-3.5
Y27H	370-400	3.70-4.00	205-250	2.58-3.14	210-255	2.64-3.21	25.0-29.0	3.1-3.7
Y28	370-400	3.70-4.00	175-210	2.20-2.64	180-220	2.26-2.77	26.0-30.0	3.3-3.8
Y30	385-405	3.85-4.05	176-224	2.20-2.80	184-226	2.30-2.84	27.5-30.5	3.45-3.95
Y30BH	380-400	3.80-4.00	230-275	2.89-3.46	235-290	2.95-3.65	27.0-32.5	3.4-4.1
Y32	400-420	4.00-4.20	160-190	2.01-2.38	165-195	2.07-2.45	30.0-33.5	3.8-4.2
Y33	410-430	4.10-4.30	220-250	2.77-3.14	225-255	2.83-3.21	31.5-35.0	4.0-4.4
Y35	400-420	4.00-4.20	160-190	2.01-2.38	165-195	2.07-2.45	30.0-33.5	3.8-4.2
Y35H1	395-415	3.95-4.15	251-259	3.15-3.25	255-271	3.20-3.40	29.6-32.8	3.7-4.1
Y35H2	390-410	3.90-4.10	236-295	3.30-3.70	275-299	3.45-3.75	28.8-32.0	3.6-4.04
Y35H3	405-425	4.05-4.25	223-247	2.80-3.10	231-255	2.90-3.20	30.2-35.4	3.8-4.4
Y35H4	370-390	3.70-3.90	270-302	3.40-3.80	326-358	4.10-4.50	25.6-28.8	3.2-3.6
Y40	390-410	3.90-4.10	279-309	3.50-3.86	311-325	3.90-4.10	28.8-32.0	3.6-4.0
Y40B	410-430	4.10-4.30	247-263	3.10-3.30	255-271	3.20-3.40	32.6-34.4	4.0-4.4
Y40H	370-390	3.70-3.90	275-297	3.45-3.75	374-390	4.70-4.90	25.6-29.4	3.2-3.6

Standard Speaker/Ring Magnets



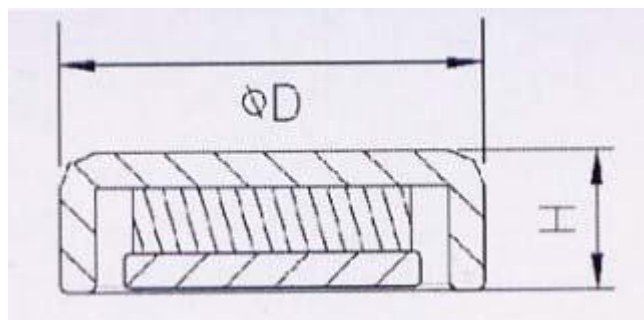
Ref. No.	Dimensions (mm)	Ref. No.	Dimensions (mm)
M4R-001	D8 × d4 × 3	M4R-002	D10.2 × d6 × 9
M4R-003	D12 × d4 × 12	M4R-004	D12 × d4 × 24
M4R-005	D13 × d4.5 × 20	M4R-006	D14.6 × d8 × 12
M4R-007	D15 × d4.5 × 20	M4R-008	D15 × d4.5 × 28
M4R-009	D16 × d7 × 4	M4R-010	D18 × d5 × 8
M4R-011	D18 × d7 × 6	M4R-012	D18 × d6 × 24
M4R-013	D18 × d6 × 40	M4R-014	D18.3 × d6 × 32
M4R-015	D19 × d6 × 30	M4R-016	D21 × d7 × 32
M4R-017	D22 × d8 × 45	M4R-018	D23.4 × d11 × 8
M4R-019	D23.4 × d12 × 9	M4R-020	D25 × d8 × 50
M4R-021	D25.6 × d17 × 20	M4R-022	D26 × d10 × 9
M4R-023	D28 × d8 × 8	M4R-024	D30 × d10 × 60
M4R-025	D32 × d18 × (5-8)	M4R-026	D35 × d18 × (6-8)
M4R-027	D39 × d22.5 × (7-10)	M4R-028	D40 × d19 × (6-10)
M4R-029	D40 × d22 × (6-10)	M4R-030	D45 × d19(22) × (6-10)
M4R-031	D50 × d22 × (6-12)	M4R-032	D50 × d24 × (6-12)
M4R-033	D55 × d24 × (6-12)	M4R-034	D55 × d26 × (6-12)
M4R-035	D60 × d24 × (8-16)	M4R-036	D60 × d30 × (8-16)
M4R-037	D60 × d32 × (8-16)	M4R-038	D65 × d32 × (6-16)
M4R-039	D70 × d32 × (8-18)	M4R-040	D70 × d45 × (8-18)
M4R-041	D71.1 × d32.5 × 15	M4R-042	D72 × d32 × (8-18)
M4R-043	D75 × d32 × (10-15)	M4R-044	D75 × d40 × (10-15)
M4R-045	D80 × d32 × (10-20)	M4R-046	D80 × d40 × (10-20)
M4R-047	D80 × d60 × (10-20)	M4R-048	D85 × d32 × (8-20)
M4R-049	D85 × d44 × (8-20)	M4R-050	D85 × d45 × (8-20)
M4R-051	D90 × d32 × (10-18)	M4R-052	D90 × d35 × (10-18)
M4R-053	D90 × d45 × (10-18)	M4R-054	D90 × d50 × (10-18)
M4R-055	D100 × d45 × (12-20)	M4R-056	D100 × d50 × (12-20)
M4R-057	D100 × d60 × (12-20)	M4R-058	D110 × d60 × (15-20)

Ref. No.	Dimensions (mm)	Ref. No.	Dimensions (mm)
M4R-059	D110 × d62 × (15-20)	M4R-060	D119 × d56 × (14-20)
M4R-061	D119 × d60 × (14-20)	M4R-062	D116 × d56.8 × (15-20)
M4R-063	D116 × d60 × (15-20)	M4R-064	D120 × d45 × (12.5-20)
M4R-065	D120 × d60 × (12.5-20)	M4R-066	D126 × d60 × (12.5-20)
M4R-067	D126 × d65 × (12.5-20)	M4R-068	D128.3 × d58.8 × (15-20)
M4R-069	D133.3 × d59 × (15-20)	M4R-070	D135 × d60 × (15-20)
M4R-071	D140 × d62 × (12.5-20)	M4R-072	D140 × d65 × (12.5-20)
M4R-073	D140 × d75 × (12.5-20)	M4R-074	D145 × d70 × (20-24)
M4R-075	D145 × d75 × (20-24)	M4R-076	D156 × d60 × (20-25)
M4R-077	D156 × d80 × (20-25)	M4R-078	D165 × d86.4 × (15-25)
M4R-079	D169 × d85 × (20-25)	M4R-080	D180 × d80 × (20-25)
M4R-081	D180 × d85 × (20-25)	M4R-082	D180 × d95 × (20-25)
M4R-083	D190 × d89 × (20-25)	M4R-084	D190 × d90 × (20-25)
M4R-085	D200 × d86 × (20-25)	M4R-086	D211 × d89 × (20-25)
M4R-087	D210 × d110 × (20-25)	M4R-088	D220 × d110 × (20-25)

Dimension tolerance: D ± 2%, d ± 1.5%, h ± 0.15mm

CY-U Series, NdFeB, Color Zinc Plated

These mini NdFeB assemblies find increasing applications to loudspeakers in personal computers, notebooks, radios and audio equipments etc.



Type	Dimensions (mm)		Weight (g)
	ØD	H	
CY-U01	12	4	3.0
CY-U02	14	3.8	3.5